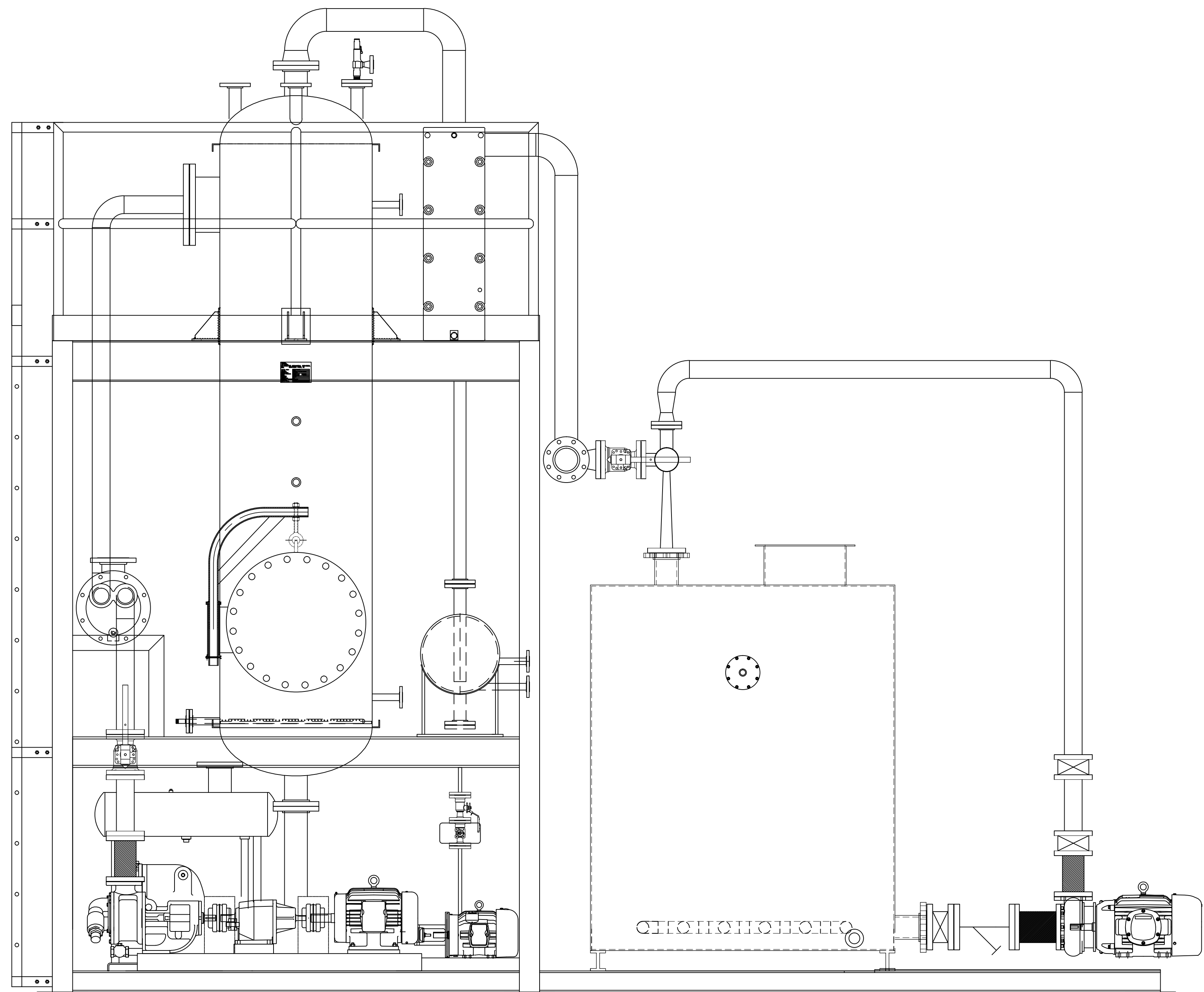
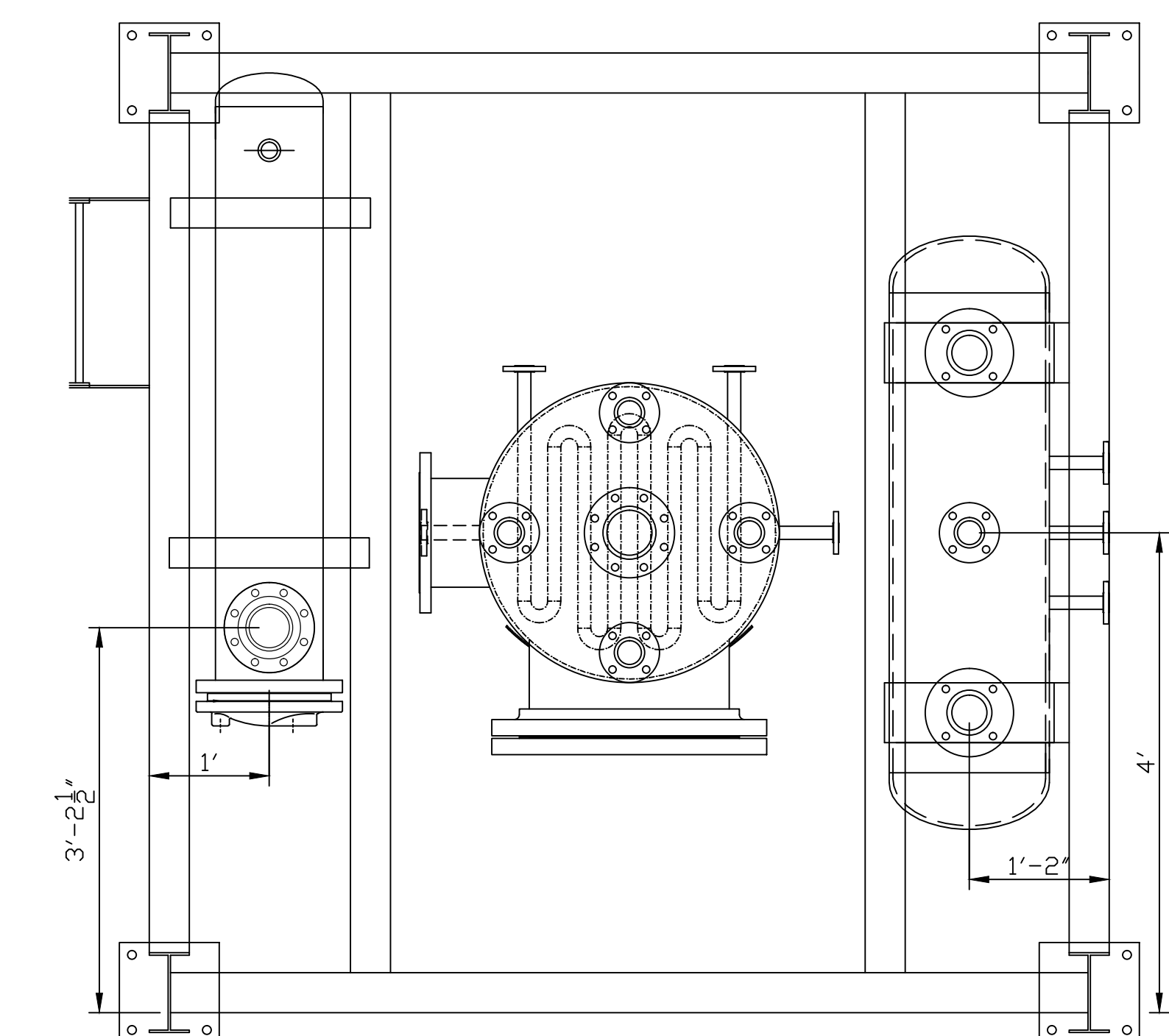


LEVEL 3 EQUIPMENT LAYOUT
PLAN VIEW

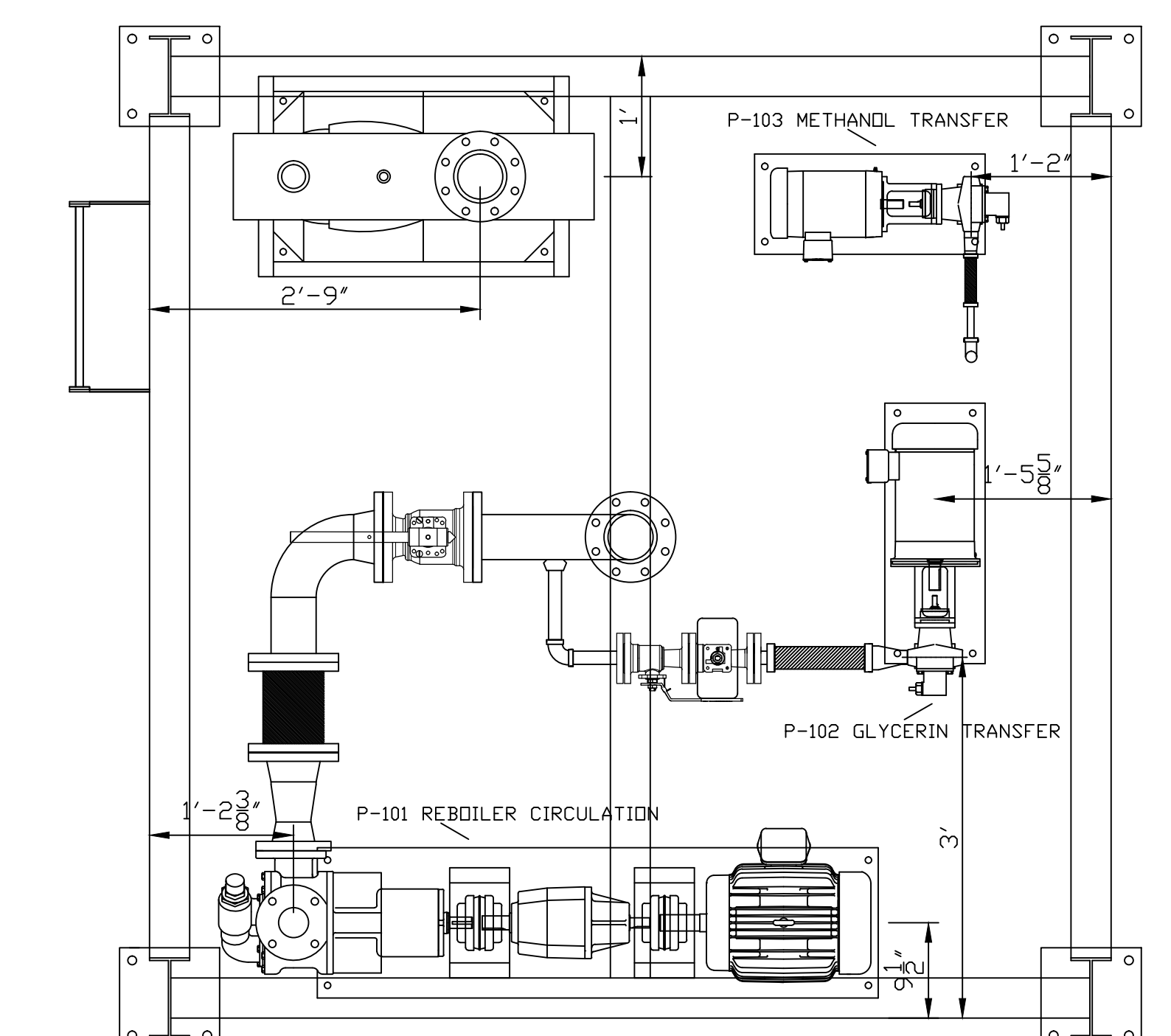


EQUIPMENT LAYOUT
SIDE VIEW

REVISIONS				
REV	DESCRIPTION	BY	DATE	APPROVED
0	INITIAL RELEASE FOR APPROVAL	T.W.D.	1/10/13	
1	RELOCATED VACUUM SUMP, ADDED PUMP DETAILS.	T.W.D.	1/24/13	



LEVEL 2 EQUIPMENT LAYOUT
PLAN VIEW



LEVEL 1 EQUIPMENT LAYOUT
PLAN VIEW

APPROVED BY:	DRAWN BY: TOM O'HARA	NO.	DATE 1-10-2013	REVISIONS 1-24-2013
APPROVED BY:	CHECKED BY:			
PURCHASE ORDER NO. 362099	APPROVED BY:			
H.E.I. PROJECT NO.	RELEASE DATE:			
SPEC. NO.	FRAC. TOL. DEC. TOL. ANG. TOL.			
Biodiesel of Las Vegas, LLC. 5233 East El Campo Grande Ave North Las Vegas, NV 89115				
1 MMGY METHANOL RECOVERY UNIT GENERAL ARRANGEMENT DRAWING				
		HARVEST ENERGY, INC. 618 Windsor Terrace SE Grand Rapids, MI 49503 www.harvestenergy.com Phone 269-838-4395		
DRAWING SCALE: NONE		DRAWING NO. GA-001		
CAB FILE NAME:				